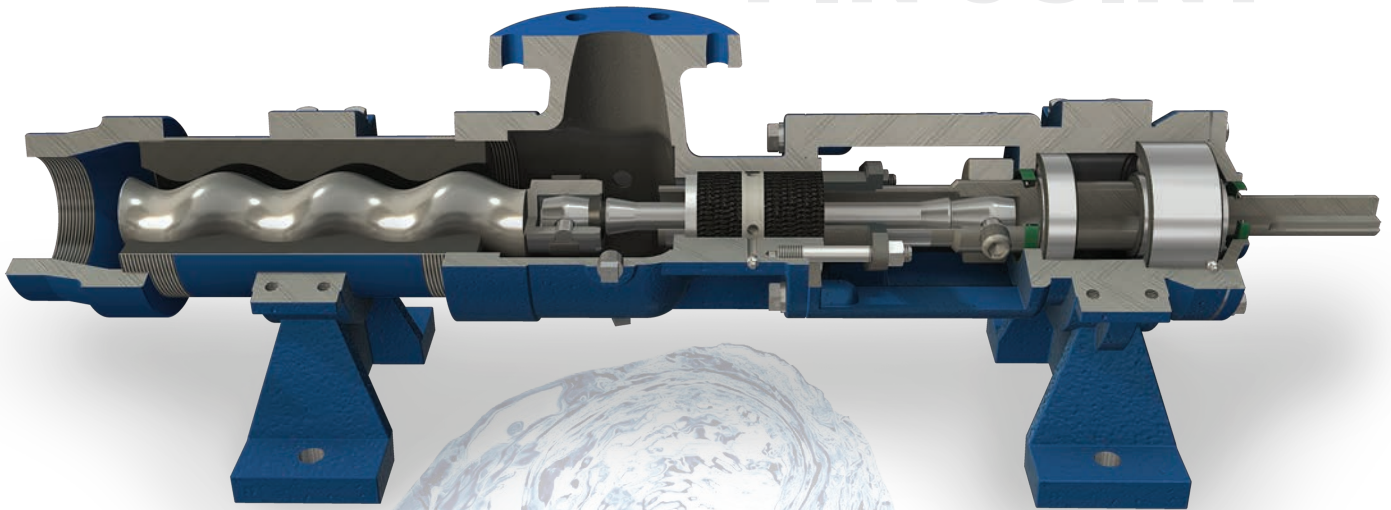
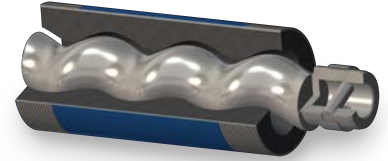


SUMMIT™

SPPC

SPPC

PIN JOINT



Features and Benefits

- Open pin joint design for cost effective maintenance
- Non-pulsating accurate metered flow control
- Outstanding handling abrasive materials
- Solids up to 1" in diameter
- Low vibration resulting in quiet operation
- High volumetric and mechanical efficiencies
- Threaded stator ends
- Temperatures up to 350°F/175°C
- Smooth continuous flow with a wide range of NPSH
- Suction lift up to 28 feet
- No pistons, valves or timing gears to wear or clog up
- Self-priming prevents air or vapor lock

SPPC Pin Joint Progressive Cavity Pump



SUMMIT™
PUMP, Inc

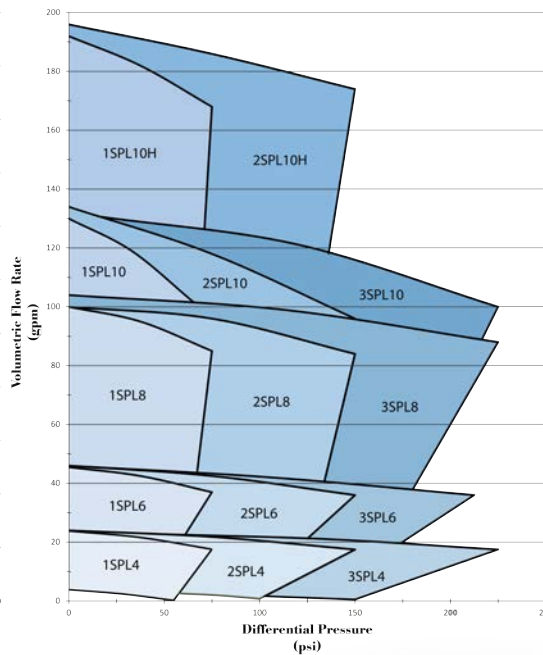
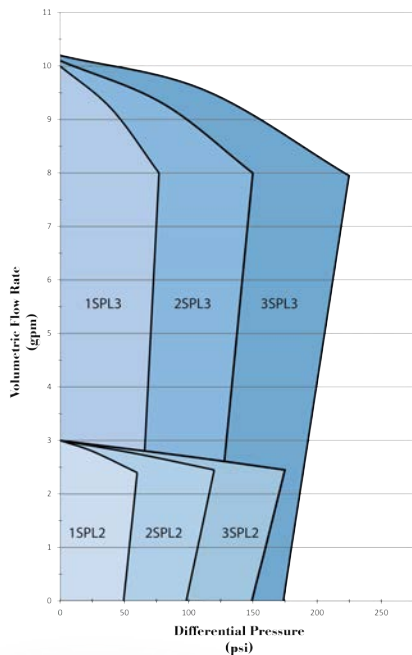
www.SUMMITPUMP.com

© 2016 SUMMIT PUMP, Inc

Pumping Versatility

SPPC Pin Joint or SPL pumps are available with a wide variety of drive and rotor package options to meet your exact application needs.

- Capacities to 200 gpm
- Pressure to 225 psi
- Pin-type universal joint drive assembly for ease of maintenance
- Modular design for simple replacement
- Cast Iron or 316 Stainless Steel construction

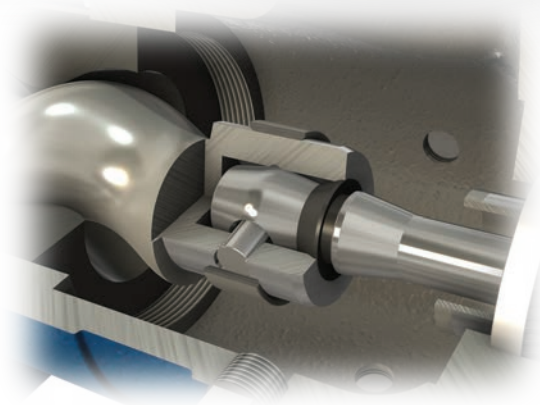


Applications

- Mortar
- Grout
- Asphalt
- Coating
- Lubricants
- Drilling muds
- Coal/water
- Coal/oil slurries
- Burner feed
- Oil/Water separations
- Mastics
- High pressure water
- Polymer transfer
- Lime slurries
- Sampling
- Chemical feed
- Paper
- Starch
- Clays
- Pastes and Gels
- Paint
- Soaps and detergents
- Crude Oil
- Polymers

Options

- Variety of drives and mounting configurations
- Mechanical seals or packing
- Open and closed loop systems
- Variable speed control
- Tachometers, Gauges and other accessories



Cross Section of Pin Joint in the Rotor Head