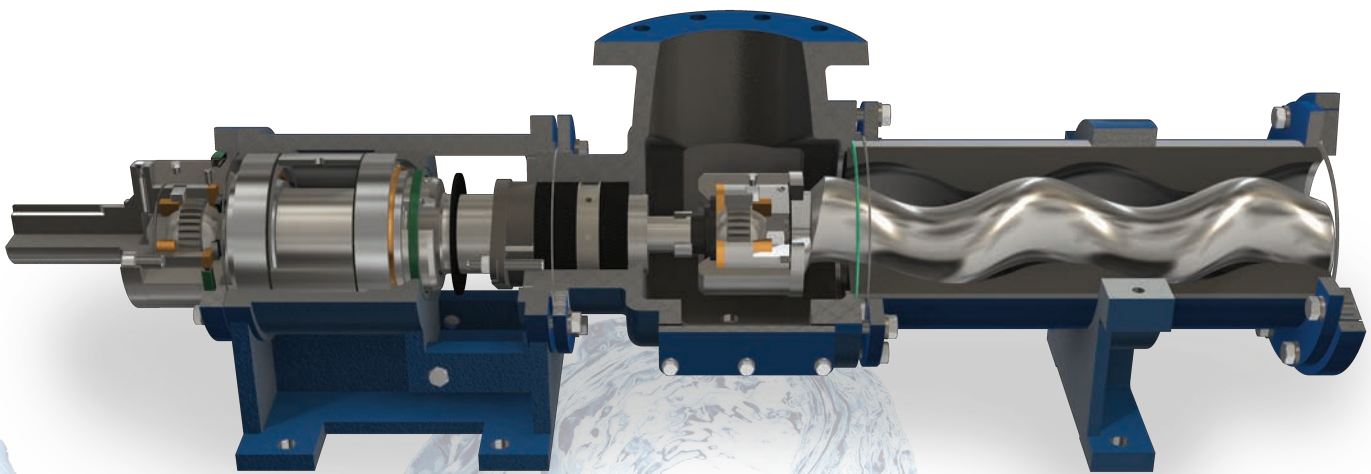
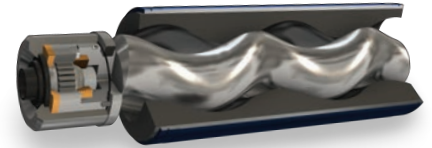


# SUMMIT™

# SPPC

# SPPC

# GEAR JOINT



## Features and Benefits

- Sealed gear universal joint handles the thrust and radial loads in the toughest applications
- Low overall cost of ownership
- Available in six frame sizes: E, F, G, H, J & K
- Open inlet set-ups in 1, 1.5 and 2 meter lengths to match common feed spaces from centrifuges
- Exceptional abrasion resistance
- Close coupled and flange models
- Sealed gear joint allows for pumping adhesives
- Snap ring connection on stator ends

# SPPC Gear Joint Progressive Cavity Pump



**SUMMIT™**  
**PUMP, Inc**

[www.SUMMITPUMP.com](http://www.SUMMITPUMP.com)

© 2016 SUMMIT PUMP, Inc

## Pumping Versatility

SPPC Sealed Gear Joint Pumps offer a modular design with maximum performance, great value and application versatility with minimum maintenance.

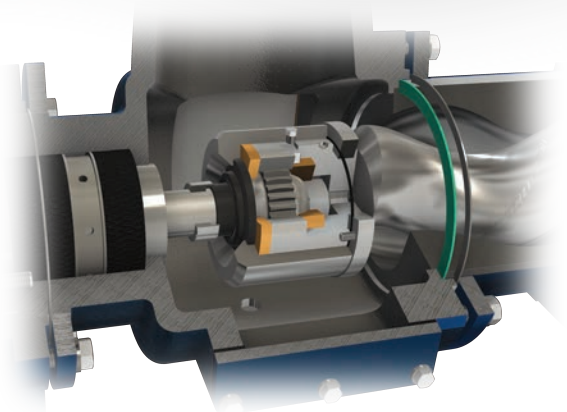
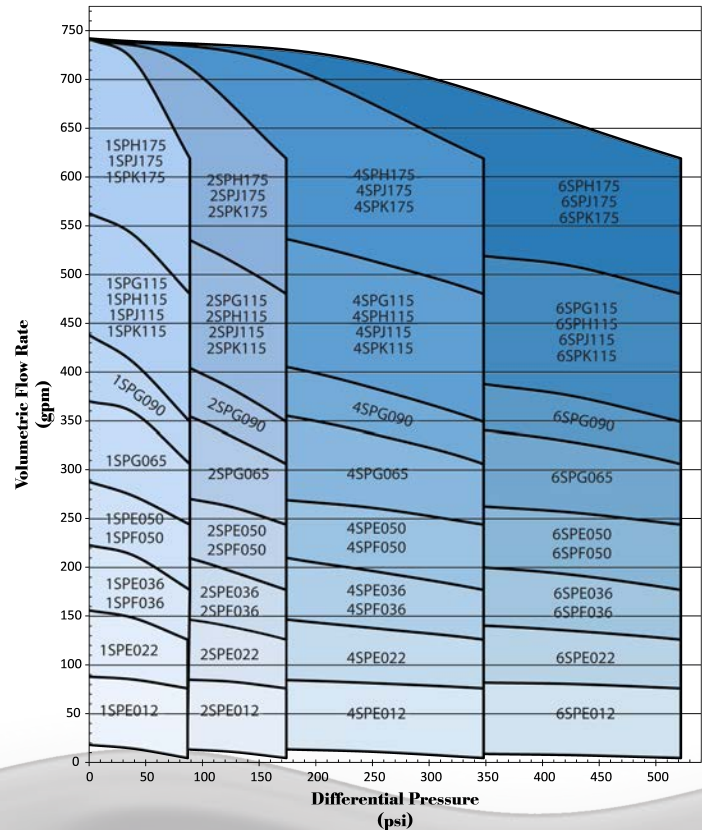
- Capacities to 740 gpm
- Pressure to 600 psi
- Gear type universal joint drive assembly for high radial and thrust loads
- Superior design for a huge range of applications
- Cast Iron or 316 Stainless Steel

## Applications

- |                                     |                         |
|-------------------------------------|-------------------------|
| • Municipal sludge                  | • Sauces and juices     |
| • Lime slurry dosing                | • By-product and wastes |
| • Filter press and incinerator feed | • Caustics              |
| • Raw sewage transfer               | • Detergents            |
| • Adhesives                         | • Paint                 |
| • Coatings latex                    | • Solvents              |
| • Starch                            | • Gypsum                |
| • Crude oil transfer                | • Plaster               |
| • Treater battery system            | • Resins                |
| • Oil/water separator               | • Clay slurries         |
| • Grape must                        | • De-icing fluids       |
| • Ground meat emulations            | • Hazardous waste       |
|                                     | • Industrial sledges    |

## Options

- Flush gland to prevent damage to seals and packing
- Deflectors to stop binding around rotor head and connecting rod
- Available shaft sleeves to prevent wear
- Large selection of drive options, mechanical seals and couplings



Cross Section of Sealed Gear Joint in the Rotor Head